



***AIRCAD, INC***  
***2006 STOCK CATALOG***

*Warehouse stock ready for immediate pick-up  
or delivery.*

***AIRCAD INC***  
*8445 MADISON STREET*  
*OMAHA, NE 68127*  
*(402) 592-0866*  
*Web address: [www.aircad.com](http://www.aircad.com)*  
*E-mail: [sales@aircad.com](mailto:sales@aircad.com)*

# ***Customer Satisfaction Guaranteed***

At AIRCAD, INC we understand our customers needs. Our sales people travel the country to attend training sessions at all the factories we represent. Consequently our sales people have an in-depth knowledge of products and applications to assist you in your building projects.

In order to better serve you, we carry a variety of products onsite; ready for immediate pick-up or delivery. (Delivery charges may apply)

***AIRCAD, INC.***

***402-592-0866***

*Matt Bordenkecher, EXT. 1*

*Brad Klaassen, EXT. 2*

*Travis Waldstein, EXT. 3*

*Pat Dotson, EXT. 4*

*Sharlene Vogel, EXT. 5*

*Charlene Montoya, EXT. 6*

**See our lines list for all factories represented by *AIRCAD, INC.* All factory products can be ordered and direct shipped. Call for pricing and details. Ask about Quick Ship options.**



## **Model: SPD**

### **Features**

- Round neck
- All steel construction
- Two piece face plate
- Wrapped panel
- White powder coat finish
- Plaster frames (optional)



Neck Size	CFM Range	Face Size
6	100-200	24 x 24
8	200-360	
10	350-550	
12	550-780	

## **Model: SCDA**

### **Features**

- Adjustable Blow Patterns
- Round neck
- All steel construction
- Three concentric cones
- White powder coat finish
- Plaster frames (optional)



Neck Size	CFM Range	Face Size
6	100-200	24 x 24
8	200-360	
10	350-550	
12	550-780	

## **Model: SCD**

### **Features**

- . Round neck
- . All steel construction
- . Three concentric cones
- . White powder coat finish
- . 3 lay-in frame sizes
- . Plaster frames (optional)



Neck Size	CFM Range	Face Size
6	100-200	12 x 12
6	100-200	20 x 20
8	200-360	
6	100-200	24 x 24
8	200-360	
10	350-550	
12	550-780	

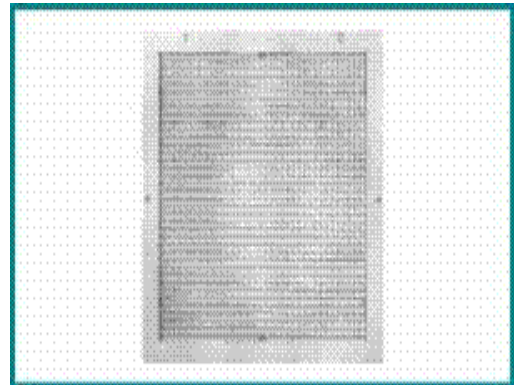
## **Model: 80**

### **Features**

- . Aluminum eggcrate construction
- . 1/2 x 1/2 x 1/2 grid size
- . White powder coat finish
- . 2 lay-in frame sizes

### **Application:**

- . High capacity return or exhaust outlet with high free area and low sound and pressure drops.
- . Ideal for pressurized ceiling return or size restricted exhaust applications.



Face Size	Neck Size	CFM Range
24 x 24	22 x 22	1000
24 x 12	22 x 10	2200
12 x 12	10 x 10	550

## **Model: PDDR**

### **Features**

- . Perforated Return w/ Collar
- . 2 lay-in frame sizes
- . White powder coal finish



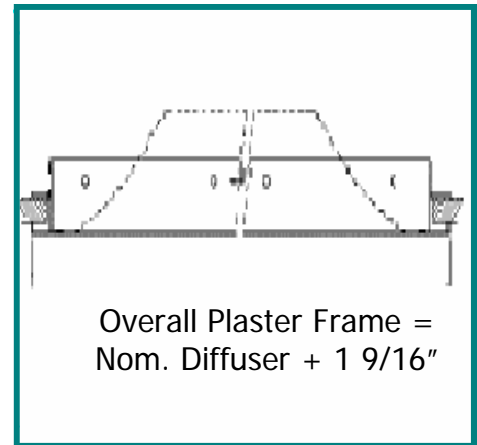
Face Size	Neck Size	CFM
24 x 12	22 x 10	1000
24 x 24	22 x 22	2200

## **Accessories: SPF and VCR 8 and 9**

### **Model SPF**

#### Steel Surface Mount Adaptor Frame

For surface mounting square ceiling diffusers in drywall ceiling. This allows retrofit of lay-in diffusers or installation of flexible duct in surface mount applications. Constructed of heavy gauge steel. Assures a neat job and close fit.

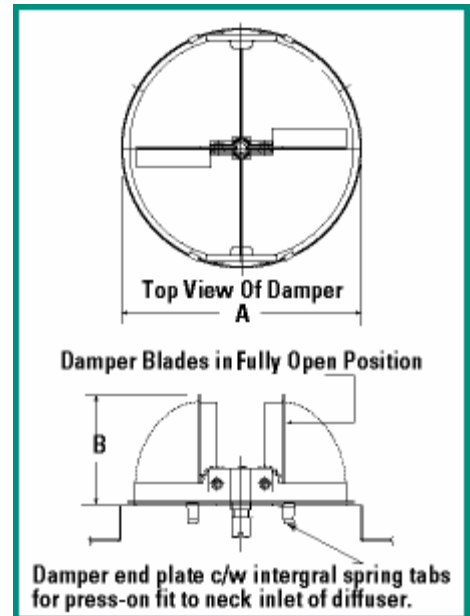


Size
12 x 12
20 x 20
24 x 24

## VCR 8E Butterfly Damper

Damper mounts directly to any round diffuser neck inlet that is sized nom.-1/8".

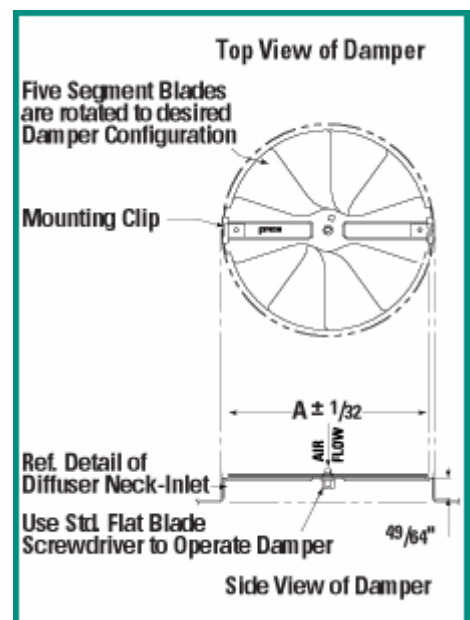
Nominal Sizes	A	B
6"	5-7/8 (150)	2-3/4
8"	7-7/8 (200)	3-3/4
10"	9-7/8 (250)	4-3/4
12"	11-7/8 (302)	5-3/4



## VCR 9 Radial Damper

Damper mounts directly to any round diffuser neck inlet that is sized nom.-1/8".

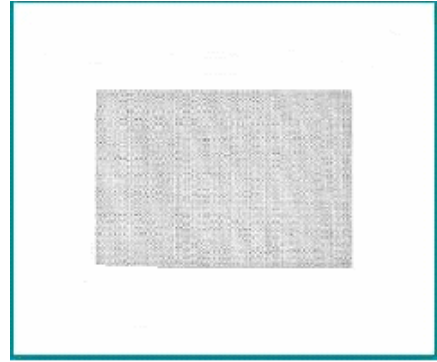
Duct Size	A
6	5-1/2
8	7-1/2
10	9-1/2
12	11-1/2



## **Model PFRF**

### **Features**

- Perforated Return—Face only
- 2 Lay-in frame sizes
- White powder coat finish



Face Size	CFM Range
24 x 12	0-1375
24 x 24	0-2700

## **Model: 530FF**

### **Features**

- Filter Grille
- Accepts standard 1" (25) filter media
- 1/4 turn fasteners and hinge
- Lay-in frame
- White powder coat finish



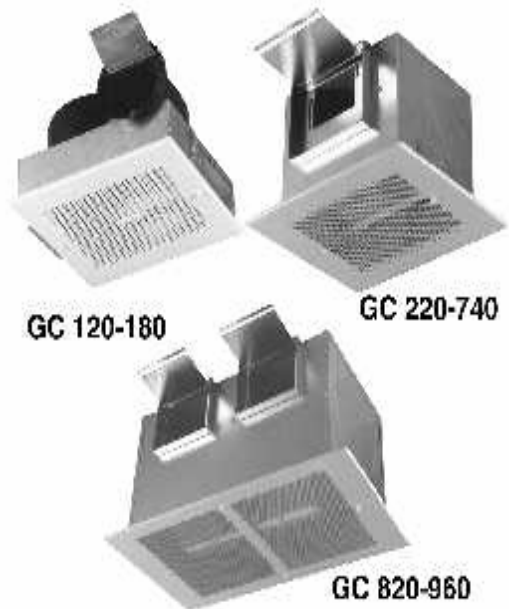
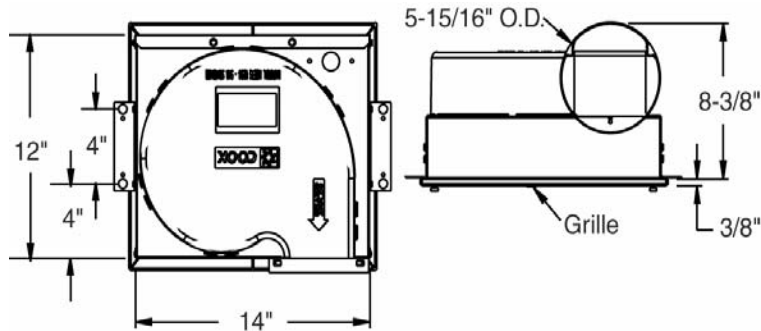
Filters not included

Face Size	Neck Size	CFM Range
20x20	24x24	0-1200



## COOK FANS

Model	CFM
GC-120	35-80
GC-140	50-130
GC-160	80-185
GC-180	120-250



<b>6" Wall Caps— Fits All</b>
<b>Fan Speed Controller— Fits All</b>

### STANDARD CONSTRUCTION FEATURES

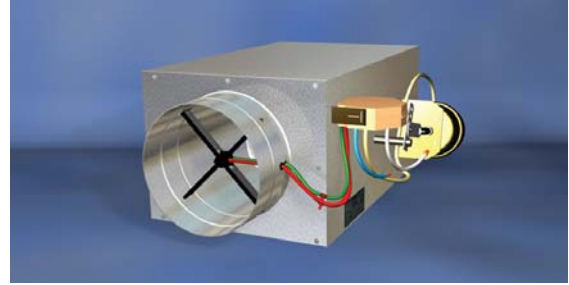
Forward curved injection molded polypropylene fan wheel - Injection molded flame resistant fan housing with round outlet duct - 22 ga. galvanized steel inlet box - Isolation mounted motor, mounted to one piece galvanized stamped steel integral motor mount/inlet - Field wiring compartment with receptacle - Adjustable pre-punched mounting bracket - White, high impact styrene injection molded grille - Shipped in ISTA certified transit tested packaging.

**Note: The GN 220-740 and GN 820-960 are available with 24-hour express shipping from Loren Cook. See Cook Express Catalog for details.**

**Model: SDV5**

**Features**

- . Inlet Flow Sensor
- . 3/4" Fiber-free Insulation
- . DDC Controls by others
- . Pneumatic Controls Available
- . HW Coils Available



Neck Size	CFM
4,5,6"	200-375
8"	400-700
10"	700-1000
12"	1000-1800

**Hot Water Coils**

Row	Box Size	Coil Size
1 row	4,5,6"	12x8
1 row	8"	12x10
1 row	10"	14x12.5
1 row	12"	16x15
2 rows	4,5,6"	12x8
2 rows	8"	12x10
2 rows	10"	14x12.5
2 row	12"	16x15

**\*CP101 Pneumatic Controls/Actuator**